



**RADIAND USA CORP.**  
Manufacturers of Kitchen Equipment

# GRILL-O



## Specifications

<b>EMG2-1202</b>	<b>MODEL</b>
<b>120</b>	<b>VOLTS</b>
<b>32</b>	<b>AMPS</b>
<b>3600</b>	<b>WATTS</b>
<b>75 lbs.</b>	<b>WEIGHT</b>
<b>7<sup>3</sup>/<sub>4</sub>"</b>	<b>HEIGHT</b>
<b>22<sup>1</sup>/<sub>2</sub>"</b>	<b>WIDTH</b>
<b>14<sup>1</sup>/<sub>2</sub>"</b>	<b>DEPTH</b>
<b>1 set</b>	<b>Grooved</b>
<b>1 set</b>	<b>Smooth</b>
<b>1 YEAR</b>	<b>WARRANTY</b>

# GRILL-O

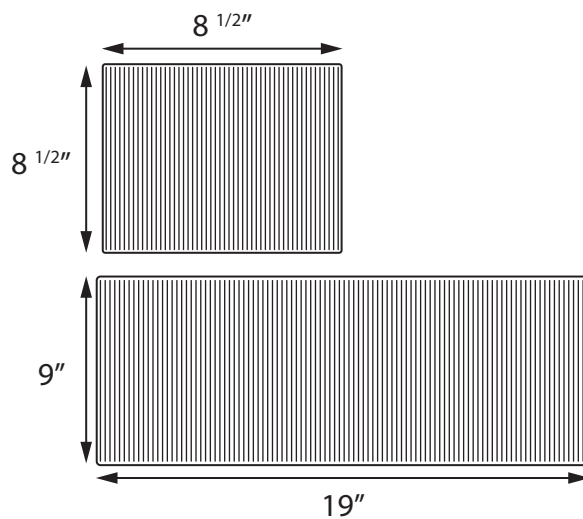
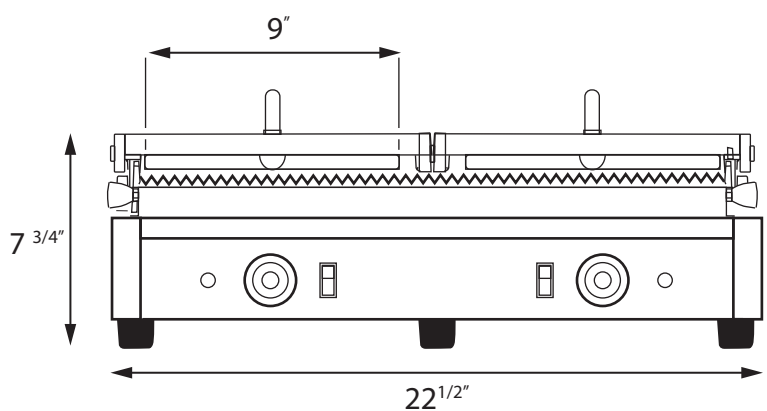
## Multi-Contact Grill



### FEATURES

- Dishwasher safe for quick, efficient cleaning
- Thermostatic control from 120°F to 570°F (50°C to 300°C)
- Enamel-coated cast iron grill plates`
- 1 set of Smooth Plates included`
- Grooved Plates are interchangeable with the Smooth Plates
- Stainless Steel frame s
- Removable stainless steel drip tray with handles
- Removable stainless steel back plate for easy cleaning

### MEASUREMENTS

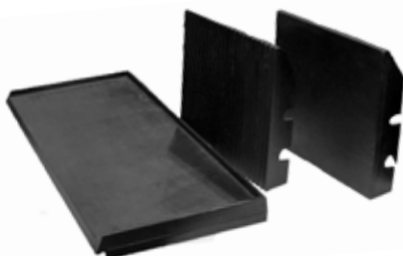


### STANDARD

#### Enamel Coating



#### 2 sets of Removable Smooth & Grooved



#### Removable Back Plate for easy cleaning

